

Duct air flow sensors / air flow monitors,
incl. mounting flange, electronic,
with active / switching output

Electronic duct air flow sensor **RHEASGARD® KLGF** with active output, housing made of impact-resistant plastic with quick-locking screws, with cable gland, with/without display, to determine the flow velocity (0.1...20 m/s). The measuring transducer converts the measurement signal into a standard signal of 0 - 10 V.

Electronic duct air flow sensor/monitor **RHEASGARD® KLGF**T (without display) and **KLGFV**T (with display) with active and switching output, housing made of impact-resistant plastic with quick-locking screws, with cable gland, to determine the flow velocity (0.1...20 m/s) and temperature (0...+50 °C). For device type **KLGFV**T, the calculated volume flow parameter can be retrieved as an alternative to the flow (configurable on the display). The measuring transducer automatically detects the required output type and converts the measurands into the required standard signal of 0 - 10 V or 4...20 mA (**Automatic Output Switching**).

Electronic duct airflow monitor **RHEASREG® KLSW** with switching output, housing made of impact-resistant plastic with quick-locking screws, with cable gland, with/without display, to determine the flow velocity (0.1...20 m/s). The flow sensors are suitable for monitoring or controlling airflows in ducts, at fans and dampers, for flow-dependent monitoring of humidifiers and electric heating registers according to DIN 57100, Sect. 420, or for use in connection with DDC systems.

Protective tube
(NL) 120 mm



Protective tube
(NL) 220 mm



TECHNICAL DATA

Power supply:	24 V AC / DC (± 10 %) (KLSW-W24, KLGFxx) 230 V AC, 50 Hz (KLSW-W230)
Current consumption:	approx. 3 VA (KLGF, KLSW-W24, KLSW-W230) approx. 4 VA (KLGF T, KLGFV T)
Data points:	flow velocity [m/s], volume flow [m³/h], temperature [°C]
Outputs:	KLGF 1x 0-10 V (U variant) KLGF(V) T 2x 0-10 V / 4...20 mA (via Automatic Output Switching – the unit recognises the required output type and automatically switches to U or I output); changeover contact 24 V (max. 5 A, cos φ = 1.0), switching hysteresis 2 % final value, threshold can be adjusted via potentiometer KLSW-W24 changeover contact 24 V (max. 5 A, cos φ = 1.0), switching hysteresis 2 % final value, threshold can be adjusted via potentiometer KLSW-W230 changeover contact 230 V AC (max. 5 A, cos φ = 1.0), switching hysteresis 2 % final value, threshold can be adjusted via potentiometer

AIR FLOW

Sensor:	calorimetric, temperature compensated, sensor breakage protection, with manual zero-point calibration (via button)
Measuring range:	0.1...20 m/s
Accuracy:	0.5 m/s + 3 % measured value
Long-term stability:	± 0.5 % final value per year
Reproducibility:	± 1.0 % final value
Warm-up time:	< 2 min
Response time:	< 5 s
Start-up override:	0 / 60 s (KLGF/KLSW without display), can be activated via DIP switch 0...120 s (KLGF/KLSW with display, KLGF T/ KLGFV T), can be adjusted via potentiometer

TEMPERATURE

Sensor:	NTC 10k
Measuring range:	0...+50 °C
Accuracy:	typical ± 0.5 K at +25 °C
Protective tube:	PLEUROFORM ™, material polyamide (PA6), with torsion protection, Ø 20 mm, NL = 120 mm / 220 mm, v _{max} = 30 m/s (air), optional on request made of stainless steel V2A (1.4301), Ø 16 mm
Housing:	plastic, UV-resistant, polyamide material, 30 % glass-globe reinforced, with quick-locking screws (slotted / Phillips head combination), colour traffic white (similar to RAL 9016), housing cover for display is transparent!
Housing dimensions:	126 x 90 x 50 mm (Tyr 2)
Cable connection:	cable gland , plastic (M 16 x 1.5; with strain relief, exchangeable, max. inner diameter 10.4 mm)
Electrical connection:	0.2 - 1.5 mm², via push-in terminal
Process connection:	by means of plastic mounting flange (included in the scope of delivery)
Ambient temperature:	storage -20...+50 °C; operation 0...+50 °C
Medium temperature:	0...+70 °C
Permitted humidity:	< 98 % RH, non-precipitating air free of harmful substances
Protection class:	II (according to EN 60 730) with UB = 230 V (KLSW-W230) III (according to EN 60 730) with UB = 24 V (KLSW-W24, KLGFxx)
Protection type:	IP 65 (according to EN 60 529) housing; IP 20 sensor technology
Standards:	CE conformity according to EMC Directive 2014 / 30 / EU, according to EN 61326-1, according to EN 61326-2-3
Optional:	display with illumination , three-line, cutout approx. 70 x 40 mm (W x H), to display the flow velocity, volume flow and temperature

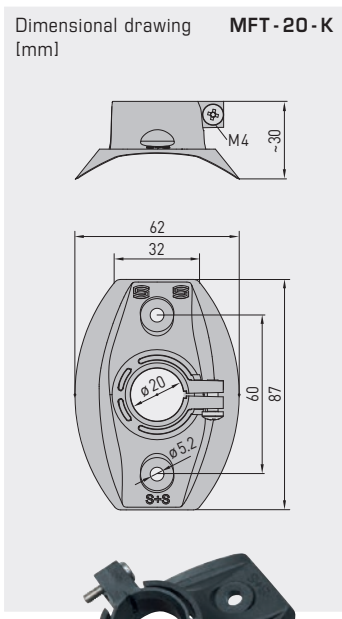
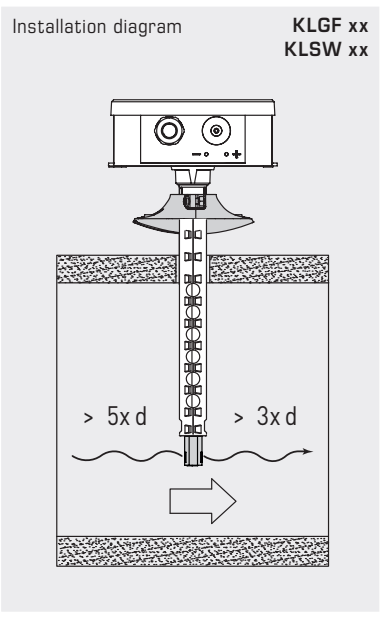
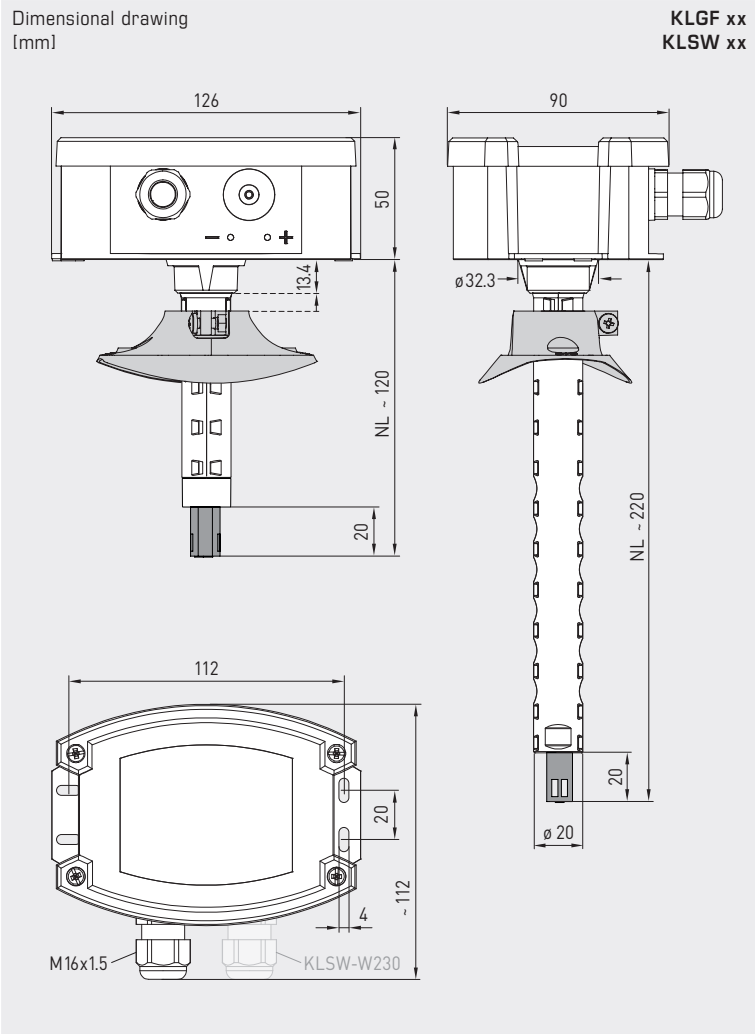


NEW

S+S REGELTECHNIK

RHEASGARD® **KLGF xx**
RHEASREG® **KLSW xx**

Duct air flow sensors / air flow monitors,
incl. mounting flange, electronic,
with active / switching output



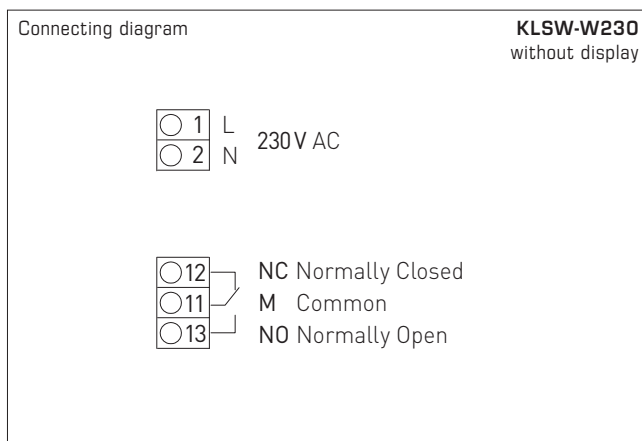
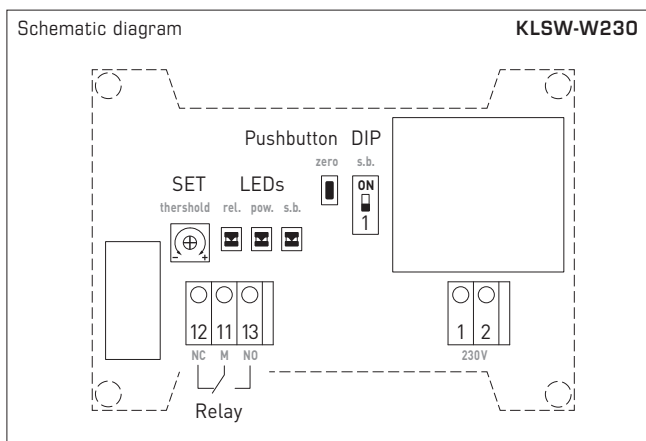
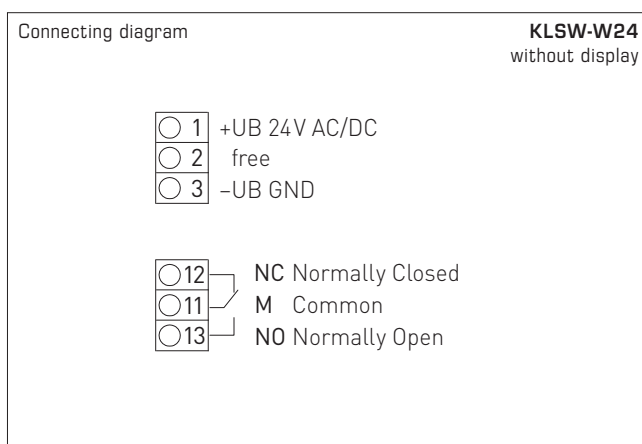
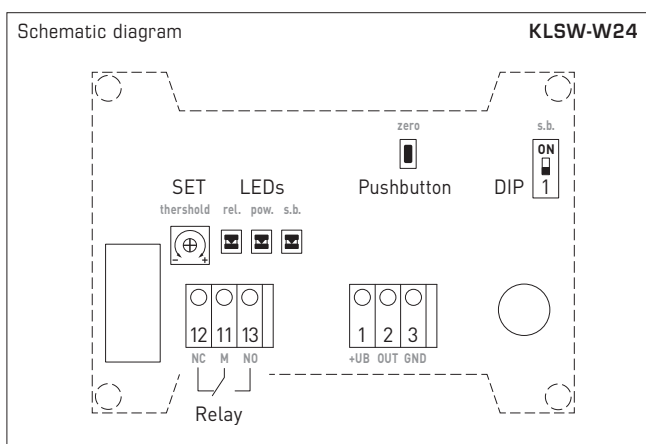
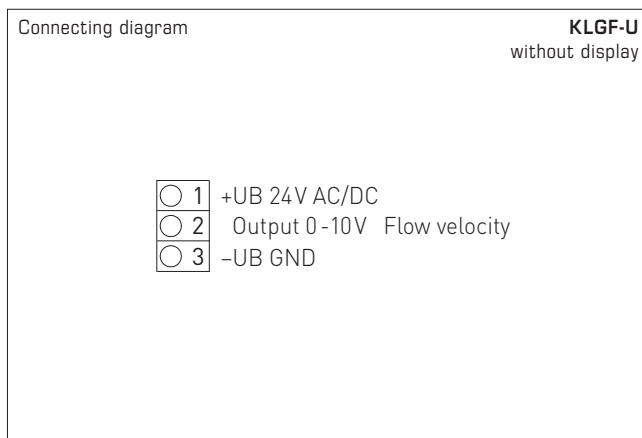
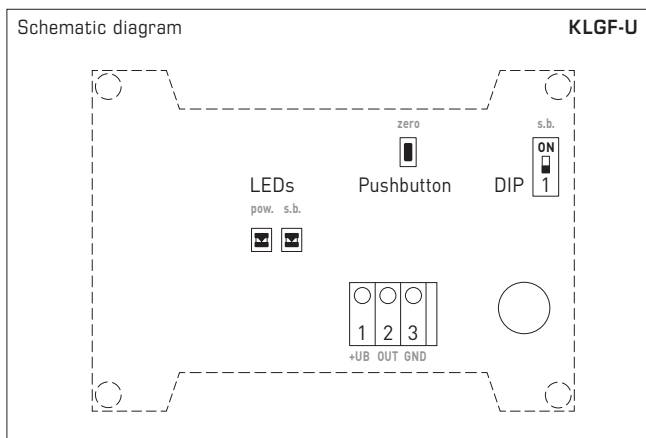
MFT-20-K
Mounting flange
made of plastic



Automatic detection and switching
to standard signal 0...10V or 4...20 mA

AOS-PATENTED
AUTOMATIC OUTPUT SWITCHING





KLSW-W230
with changeover contact,
UB = 230 V

KLSW-W24
with changeover contact,
UB = 24 V

KLGF-U
with output 0-10V,
UB = 24 V



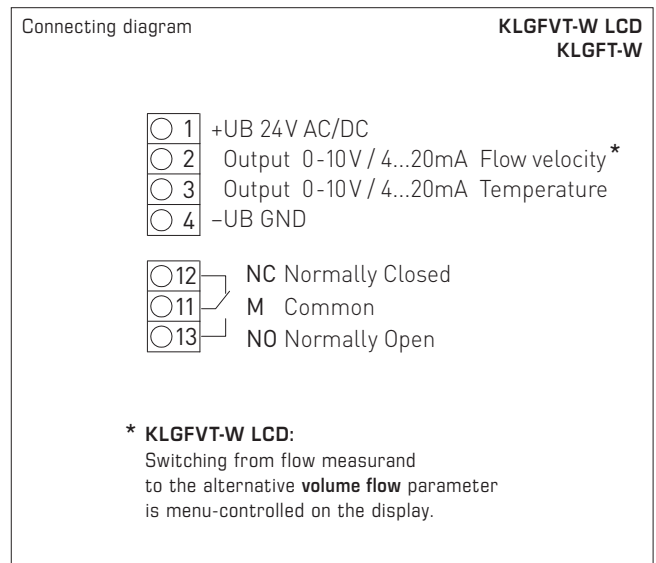
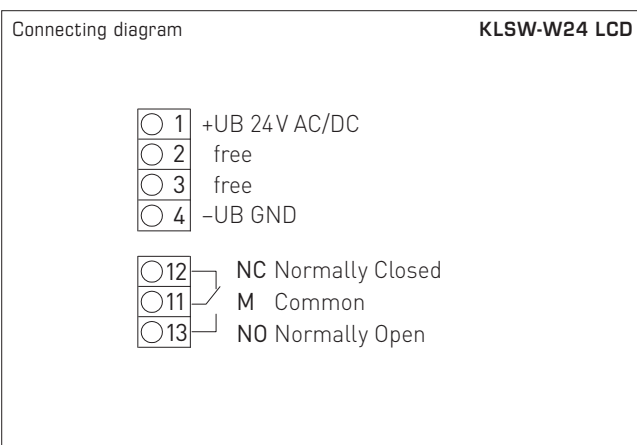
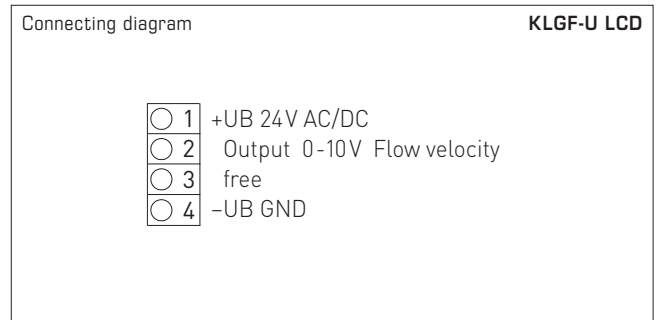
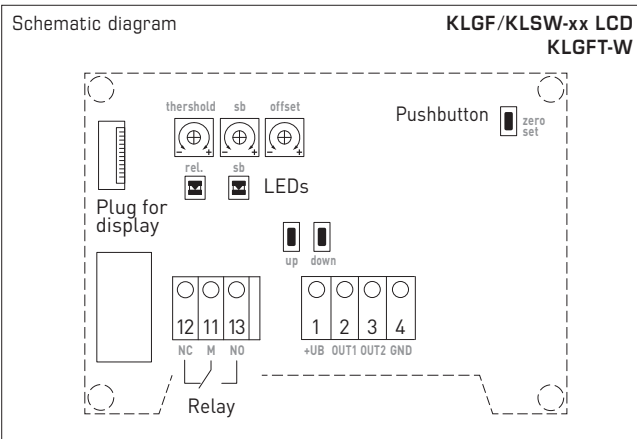


NEW

S+S REGELTECHNIK

RHEASGARD® **KLGF xx**
RHEASREG® **KLSWxx**

Duct air flow sensors / air flow monitors,
incl. mounting flange, electronic,
with active / switching output



RHEASGARD® KLGF Duct air flow sensor, electronic, with active output
RHEASGARD® KLGF(V)T Duct air flow sensor, electronic, with active and switching output
RHEASREG® KLSW Duct air flow monitor, electronic, with switching output

Type / WG01	Power supply	Output active	Output switching	Display (NL)	Item no.	Price
KLGF						
U variant						
KLGF-U 120mm	24V AC/DC	1x 0-10V	-	120 mm	1701-4111-0102-000	258,79 €
KLGF-U	24V AC/DC	1x 0-10V	-	220mm	1701-4111-0101-000	243,34 €
KLGF-U LCD	24V AC/DC	1x 0-10V	-	220 mm	■ 1701-4111-1101-000	306,06 €
Optional:	Cable connection with M12 connector according to DIN EN 61076-2-101					on request
KLGF(V)T						
AOS						
KLGF-T-W	24V AC/DC	2x 0-10V / 4...20mA	1 changeover contact	220 mm	1701-4118-0201-001	308,23 €
KLGFVT-W LCD	24V AC/DC	2x 0-10V / 4...20mA	1 changeover contact	220 mm	■ 1701-4118-1401-001	379,61 €
KLSW-W24						
KLSW-W24 120mm	24V AC/DC	-	1 changeover contact	120 mm	1701-4113-0102-001	228,51 €
KLSW-W24	24V AC/DC	-	1 changeover contact	220 mm	1701-4113-0101-001	213,06 €
KLSW-W24 LCD	24V AC/DC	-	1 changeover contact	220 mm	■ 1701-4113-1101-001	264,97 €
KLSW-W230						
KLSW-W230 120mm	230V AC	-	1 changeover contact	120 mm	1701-4133-0102-001	230,13 €
KLSW-W230	230V AC	-	1 changeover contact	220 mm	1701-4133-0101-001	214,68 €

Note: **Changeover contact** with automatic reset (relay opens automatically when value falls below the threshold again)

AOS (Automatic Output Switching) = patented analogue interface (patent no. DE 10 2015 015 941 B4), the unit automatically detects the required output type 0 - 10 V or 4...20 mA

KLGF, KLGFVT T = temperature (0...+50 °C) – additional measurand
V = volume flow (0...200,000 m³/h) – alternative parameter, can be configured via display!